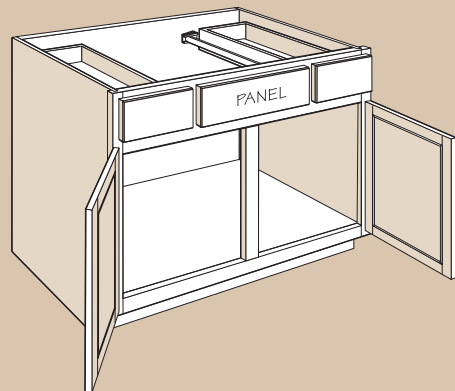
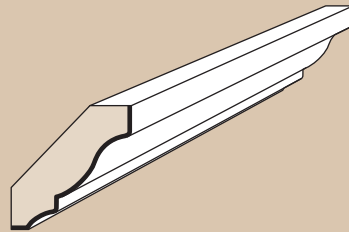
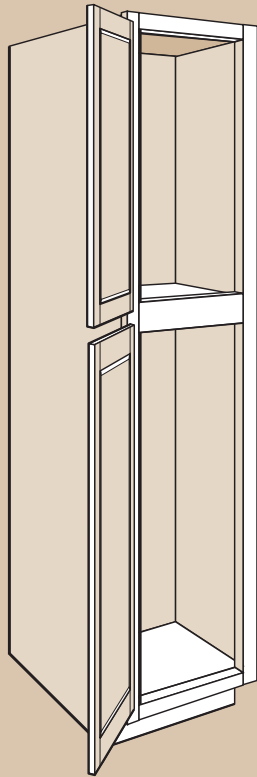
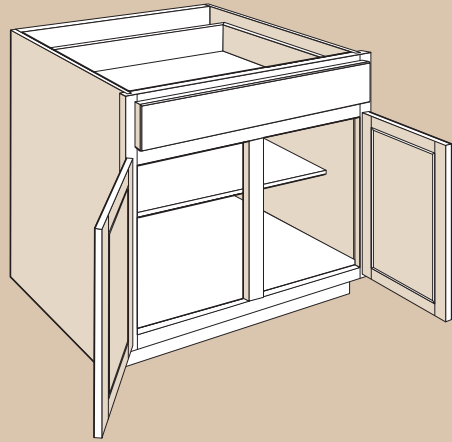
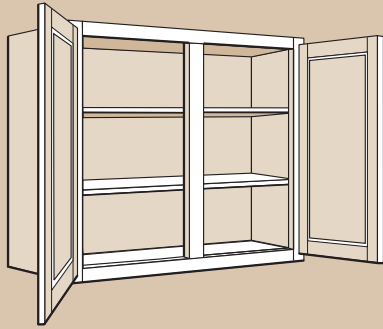


Index



	SKU	Spec	Pricing
A			
Acanthus Capital	ASC	190	334
Acanthus Corbel, Large	AC313	190	334
Acanthus Corbel, Small	AC58	190	334
Acanthus Insert Molding	ASI8	180	332,333
Acanthus Leaf Onlay	ALO	191	334
Acanthus Onlay	ASPO	190	334
Accent Turned Leg	ATL	185	335
Adjustable Shelf	S__	140,161	326, 327
Adjustable Shelf Kit	SK__	140,161	326, 327
Afton Glass Insert Door Option	OFD AFTON	46	251
Alcove Leaded Glass Insert Door Option	OFD ALCOVE	46	251
Angle Crown Molding	ACM8	178	332,333
Angled Outside Corner Molding	AOSC8	183	332,333
Appliance Garage	AG/AGS	84	321
Applique Valance	VA__D	85	322
Arched Valance	VA__C	85	322
Aster Decorative Block	FB/BB ASTER	175	336
Asymmetrical Base Easy Reach	BER3336/BER3633	115	288
Asymmetrical Base Super Susan Plastic Spin	BSS3336/BSS3633	117	288
Asymmetrical Base Super Susan Wood Spin	BSS3336 WD/BSS3633 WD	116	288
B			
Base Cabinet Construction		29	—
Base Cabinet Decorator Matching Doors	DMDB	168	306
Base Cabinet with Plastic Bag Door Storage	B__PBDSU	95	268
Base Cabinet with Cutting Board Door Rack	B18 CBDR	95	268
Base Cabinet with Factory Installed Drawer Organizers	B__CC/CHB/KSCC/CD/KS/SDI/WTCD	98	270-282
Base Cabinet with Factory Installed Roll Out Tray Divider	B__ROTD	95	268
Base Cabinet, Four DROT	B__4T	94	266
Base Cabinet, Microwave	BMC__	120	284
Base Cabinet, No Drawer	TB9	90	264
Base Cabinet, No Drawer with Tray Divider and Shelf	TB9 TDS	90	264
Base Cabinet, One DROT and Shelf	B__FWT	92	266
Base Cabinet, One Factory Installed Wastebasket	BWBT15	96	268
Base Cabinet, Six DROT	B45 6T	94	266
Base Cabinet, Standard	B__	90	264
Base Cabinet, Three DROT and Shelf	B45 3T	93	266
Base Cabinet, Two DROT	B__2FWT	93	266
Base Cabinet, Two DROT and Shelf	B__2T	93	266
Base Cabinet, Two Factory Installed Wastebaskets	BWBT__-2	96	268
Base Column Filler	B__C32734	173	330
Base Corner Filler	BCF27	171	330
Base Corner Overlay Filler	BOF3X3	171	331
Base Easy Reach	BER33/BER36	115	288
Base Easy Reach, Asymmetrical	BER3336/BER3633	115	288
Base End Angle	BEA__	120	288
Base End Panel	BEP34__	165	328
Base Filler Pull Out	BFP3	124	323
Base Oven Cabinet Universal	BOCU__	120	323
Base Pantry Pull Out	BPP9	90	264
Base Pot & Pan Organizer Cabinet	B__BPPO	96	268
Base Pot & Pan Organizer Kit	BPPOK__	125	323
Base Recycling Kit	BR2B15	124	323

	SKU	Spec	Pricing
B			
Base Spice Drawer Cabinet	BSDC6	119	323
Base Super Susan Plastic Spin	BSS33/BSS36	116	288
Base Super Susan Plastic Spin, Asymmetrical	BSS3336/BSS3633	117	288
Base Super Susan Wood Spin	BSS33 WD/BSS36 WD	116	288
Base Super Susan Wood Spin, Asymmetrical	BSS3336 WD/BSS3633 WD	116	288
Base Toe Kick	BTK8__	176	336
Base Turned Leg	BTL	185	335
Base Wine Rack Cabinet	BWRC6	119	323
Batten Molding	BM8 WD	181	332,333
BEA12 Base Cabinets Decorator Matching Doors	DMDBEA12	168	306
BeautyGuard Finishing System		30	—
Blind Corner Base	BLB__	113	288
Blind Corner Base Installation Chart		113	—
Blind Corner Closure	BLC1515	167	328
Blind Peninsula Corner Base	PBC24__	114	288
Blind Peninsula Corner Base Installation Chart		114	—
Blind Peninsula Wall Cabinet	BLPW24__	74	260
Blind Peninsula Wall Cabinet Installation Chart		75	—
Blind Wall Cabinet	BLW__	71	260
Blind Wall Cabinet Installation Chart		73	—
Bookcase	BC__48	87,132	320
C			
Cabinet Angle Molding	CAM8	184	332,333
Cabinet Care		30	—
Cabinet Dimensions		32	—
Cabinet Front Only Option	CFO	39	251
Cabinet Specifications		26	—
Cabinet Tray Divider	TD3	124,141	323
Center Beaded Insert Molding	CBE8	181	332,333
Chair Rail Molding	CR8	179	332,333
Chopping Block Kit	CHBK__	121	323
Classic Crown Molding	CCM8 VNR	177	332,333
Classic Range Hood	RH__CL	82	320
Clear Glass Insert Door Option	__FD CLEAR	46	251
Column Fillers	__C	173	330
Construction Options		37	251
Construction Options Legend		38	—
Contents		3	—
Contents, Parts Directory		200	—
Corner Appliance Garage	AG2418/AG2718	84	321
Corner Base, Plastic Spin	CBS36	117	288
Corner Base, Wood Spin	CBS36 WD	117	288
Corner Base Carousel	CAR36/CAR36 WD	118	288
Corner Lazy Susan	CLS45F	124	323
Corner Sink Base	CSB36	107, 118	288
Corner Sink Front	CSF36/CSF42	108, 118	288
Corner Wall	CW24__	76	262
Corner Wall, Plastic Spin	CWS2430	78	262
Corner Wall, Wood Spin	CWS24__WD	77	262
Corner Wall with Tambour	CWT2448	78	262
Corner Wall with Tambour, Plastic Spin	CWTS2448	79	262
Corner Wall with Tambour, Wood Spin	CWTS2448 WD	78	262

	SKU	Spec	Pricing
C			
Counter Support	CS12	127	323
Countertop Edge Molding	CTM8 WD	179	332,333
Cover Cap	COVER CAP__	192	336
Crown Molding	CM8 WD	177	332,333
Crown Valance	V__CR	85	322
CushionClose Glide Option	CCO	39	251
CushionClose Door Buffer	CUSH CLOSE DR BUFFER	87,126,132,141,158	321
Cutlery Divider Kit	CDK__	123	323
Cutting Board Door Rack Kit	CBDRK18	126	323
Cutting Center Kit	CCK__	121	324
D			
Decorative Blocks	FB/BB	174	336
Decorative Hardware	KNOBS/PULLS	195	338,339
Decorative Inside Corner Molding	ICM8	183	332,333
Decorator Door Clips	BAG B/BAG C	192	336
Decorator Matching Doors	DMD__	168	306
Deep Sink Base Cabinet	DSB__ 1B	107	284
Deep Roll Out Tray	DROT__	123,132,140,145,161	324, 325, 326
Deep Roll Out Tray Kit	DROT__ -4K	141,161	326,327
Deep Wood Tall End Panel	DWTEP__	167	328
Dentil Molding	DM8 WD	180	332,333
Dentil Pilaster Molding	DPM8 WD	182	332,333
Derbyshire Seeded Glass Insert Door Option	__FD DERBYSHIRE	46	251
Desk Decorator Matching Doors	DMDD__	168	306
Desk Door Cabinet	DDO__	130	290
Desk Drawer Cabinet	DDR__	131	290
Desk End Panel	DEP	131,158,164	328
Desk File Drawer Cabinet	DFD18__	130	290
Dishwasher Decorator Matching Doors	DMDAP/T	169	306
Dishwasher Insert Panel	DIP	167	328
Dishwasher Return	DWR3	164	328
Door/Drawer Overlays Specifications	POL/FOL	36	—
Door Style Collections		5	250
Double Oven Cabinet	OVD__	144	296
Drawer Base Cabinet	DB__	102	264
Drop-In Range Front	DORF30	127	324
Dummy Drawer Front Fastener	DDF FASTENER	192	336
E			
Egg and Dart Molding	EDM8	179	332,333
End Panels	__EP	165	328

	SKU	Spec	Pricing
F			
Fern Glass Insert Door Option	__FD FERN	46	251
File Base Drawer Kit	FBDK18__	132	325
Filler Extension, Fluted Beaded Reversible	FBF E3/FBF E342	172	330
Filler Extension, Universal	UF E3/UF E342	170	331
Filler Overlays	__OF	171	331
Filler, Base Column	BPC/BFC/BBC	173	330
Filler, Base Corner	BCF27	171	330
Filler, Fluted Beaded Reversible 3"	FBF3	172	330
Filler, Fluted Beaded Reversible 6"	FBF6	172	330
Filler, Tall Column	TPC/TFC/TBC	173	330
Filler, Universal	UF/OVSF	170	331
Filler, Wall Column	WPC/WFC/WBC	173	330
Fincastle Glass Insert Door Option	OFD FINCASTLE	46	251
Finished Paneling	FP__	166	329
Finished Shelving	FS__12	86	321
Finishing Systems Specifications		30	—
French Carved Leg	FCL	185	335
Full Access Hidden Glides System		27	—
Full Turned Post Beaded	POST234B	186	335
Full Turned Post Fluted	POST234F	186	335
G			
Glass Insert Sizes and Nomenclature	DGI__	213	—
Glass Shelf Kit	GSK__	86	321
Grape Corbel, Large	GC313	189	334
Grape Corbel, Small	GC58	189	334
Grape Onlay	GRPO	189	334
Grid Glass Insert Door Option	__FD GRID	47	251
Grooved Base End Panel	BEP34 GROOVED	165	328
Grooved Finished Paneling	FP__ GROOVED	166	329
Grooved Tall End Panel	TEP__ GROOVED	166	328
Grooved Wall End Panel	WEP__ GROOVED	165	328
H			
Hardware, Decorative	KNOB/PULL	195	338,339
Hardware Specifications		27	—
Heat Shield Kit	HSK	127,145	327
Hinges		27	—
I			
Increased Depth Cabinet Option	ID	40	251
Inset Light Rail Molding	ILR8	178	332,333
Inside Corner Molding	QM8 WD	183	332,333
Installation Guide		34	—
Installation Items	SCREWS/CAPS/STAIN	192	336, 337
Inverted Frame Cabinet Option	IF	40	251
Ivy Insert Molding	IVI8	179	332,333

	SKU	Spec	Pricing
K			
Keswick Glass Insert Door Option	OFD KESWICK	47	251
Keyboard Tray	KBT30	132	325
Kneehole Drawer Cabinet	KDC__	131,158	290
Knife Section Cutting Center Kit	KSCCK__	122	324
Knife Section Kit	KSK__	122	324
L			
Large Acanthus Corbel	AC313	190	334
Large Grape Corbel	GC313	189	334
Large Grape Ornament	LGO	189	334
Large Rope Molding	LRM8	179	332,333
Large Rosette Corbel	RC313	188	334
Large Shell Ornament	LSO	188	334
Legs, Decorative	__L	185	335
Library Molding	LBM8	179	332,333
Light Rail Molding	LR8/LR8 WD	178	332,333
M			
Matching Interior Cabinet Option	MI	41	251
Medicine Cabinet	MC/MCM	157	304
Meredith Glass Insert Door Option	OFD MEREDITH	47	251
Microwave Wall Cabinets	WCMSC/WMSC	66	256
Mirror Molding	MM6	178	332,333
Moldings	__8/__6	177	332,333
Mullion Frame Door Option	MFD	44	251
O			
Oasis Glass Insert Door Option	OFD OASIS	47	251
Ogee Molding	OGE8	181	332,333
Ogee Pilaster Molding	OGP8	182	332,333
Open Frame Door Option	OFD	44	251
Outside Corner Molding	OCM8	183	332,333
Oven Cabinet, Base Universal	BOCU__	120	323
Oven Cabinet, Double	OVD__	144	296
Oven Cabinet, Single	OVS__	142	298
Oven Support Shelf	OSS__	145	327
Overlay Filler	__F	171	331
P			
Pantry Door Shelf Kit	PDSK18	139	327
Pantry Swing Out Kit	PCSK36	139	327
Parts Directory Section		200	—
Peninsula Base Cabinet	PB__	112	268
Peninsula Corner Wall Cabinet	PWCW24__	79	262
Peninsula Wall Cabinet	PW__	68	258
Plastic Bag Door Storage Unit	PBDSU__	126	324
Plate Rail Molding	PRM6 WD	178	332,333
Plinth Block	FB/BB PLINTH	175	336
Plywood Veneered Sides Option	PVS	41	251
Premium Finish Cabinet Option	__GLAZE	43	251

	SKU	Spec	Pricing
P			
Prepped For Glass Insert Door Option	__FD PREPPED	48	251
Pricing Guide Section		249	—
Putty Stick	PUTTY STICK	193	337
Pyramid Block	FB/BB PYRAMID	174	336
Q			
Quarter Round Molding	QR8	184	332,333
R			
Range Hood	RH	82	320
Range Hood Decorator Matching Doors	DMDRH	168	306
Range Hood Vent & Light Unit	VENT 250	83	320
Range Hood Vent & Light Unit, Recirculating	VENT 250R	83	320
Range Hood, Tall Bead Board	RH__CL	83	320
Range Hood, Tall Decorative Wood	RH__F	83	320
Reduced Depth Cabinet Option	RD	42	251
Refrigerator Return Panel	RR__	167	329
Refrigerator Wall Cabinet	W__X 24 DP	64	256
Ribbed Glass Insert Door Option	__FD RIBBED	47	251
Rice Paper Glass Insert Door Option	__FD RICE PAPER	47	251
Roll Out Tray Divider Kit	ROTDK__	124	324
Rope Molding	RM8 WD	180	332,333
Rosette Corbel, Large	RC313	188	334
Rosette Corbel, Small	RC58	188	334
Rosette Block	FB/BB ROSETTE	174	336
S			
Scalloped Valance	VAL__	85	322
Screw Cover Caps	COVER CAP__	192	336
Screws, Installation	SCREW INST 2.5 BX100	192	336
Scribe Molding	SM8 WD	184	332,333
Shaker Accent Molding	SAM8 WD	181	332,333
Shaker Valance	V__SH	86	322
Shelf End Base	SEB	119	323
Shelf End Peninsula Base	SEPB	119	323
Shelf End Wall	SEW__	82	320
Shelf Rests	SHELF RESTS	27, 192	336
Shelf Under Cabinet	SUC36T	86	321
Shelf Under Cabinet Organizer	SUCO__	84	321
Shelf, Adjustable	S__	140,161	326,327
Shelf Kit, Adjustable	SK__	140,161	326,327
Shell Onlay	SHPO	188	334
Shelving, Finished	FS__12	86	321
StorageSystems by American Woodmark		49	—
Side-Mounted Drawer Glides		27	—
Single Bead Accent Molding	SBAM8 WD	181	332,333
Single Bead Molding	SBM8	182	332,333
Single Oven Cabinet	OVS__	142	298
Single Oven Cabinet with Base Pot and Pan Organizer	OVS__BPPO	143	298
Sink Base Door Storage Unit	SBDSU__	126	324
Sink Base Multi-Storage Cabinet	SBMS3__1B STO	111	284
Sink Base Multi-Storage Shelf	SBMSS	126	324

	SKU	Spec	Pricing
S			
Sink Base with Factory Installed Tilt-Out Tray(s)	SB__STO/TO	109	286
Sink/Range Base Cabinet	SB__	106	284
Sink/Range Front	SF__	108	284
Sink/Vanity Front Floor	FL__	164	329
Sink/Vanity Front Return	SFR	164	329
Sliding Towel Bar	STB	126	324
Small Acanthus Corbel	AC58	190	334
Small Dentil Insert Molding	SDE8 WD	180	332,333
Small Grape Corbel	GC58	189	334
Small Grape Ornament	SGO	189	334
Small Rosette Corbel	RC58	188	334
Small Shell Ornament	SSO	188	334
Small Single Bead Molding	SSBM8	182	332,333
Soffit Crown Molding	SCM8 WD	177	332,333
Soffit Spacer	SOF96	184	332
Spice Drawer Cabinet	SDC__	81	320
Spice Drawer Insert Kit	SDIK__	123	325
Spice Rack Kit	SRK__	87	321
Split Post	SPLT POST80__	186	335
Spray Stain	SPRAY STAIN	193	337
Stain Kits	STAIN	193	337
Standard Cabinet Specifications		25	—
Stem Glass Holder	SGH36U	87	321
Straight Appliance Garage	AGS24	84	321
Straight Trim Molding	UM8 WD	183	332,333
Straight Valance	VA__	86	322
Swirl Insert Molding	SWI8	180	332,333
T			
Tall Acanthus Capital	TASC	190	334
Tall Cabinets Decorator Matching Doors	DMDT	169	306
Tall Column Filler	T__C	173	330
Tall End Panel	TEP__	166	328
Tall Range Hood Decorative Beadboard	RH__CLF	83	320
Tall Range Hood Decorative Wood	RH__F	83	320
Tapered Leg	TPL	185	335
Tatting Glass Insert Door Option	__FD TATTING	48	251
Tilt-Out Tray Kit, Plastic	TO__TRAY	125,158	325
Tilt-Out Tray Kit, Stainless	STO__TRAY	125,158	325
Toe Kick	BTK8__	176	336
Touch Up Marker	TU MARKER	193	337
Traditional Classic Crown Molding	TCCM8 WD	177	332,333
Traditional Light Rail Molding	TLR8	178	332,333
Traditional Split Block	SPLT BLOCK 2__T	187	335
Traditional Split Collar	SPLT COLLAR T	187	335
Traditional Valance	V__T	86	322
Tray Divider, Cabinet	TD3	124,141	323
Triple Bead Accent Molding	TBAM8 WD	181	332,333
Triple Bead Edge Molding	TBE8	180	332,333
Triple Bead Molding	TBM8	182	332,333
Tri-View Mirror	TV__	157	326
TuffTech Finishing System		30	—

	SKU	Spec	Pricing
U			
Universal Filler	UF/OVSF	170	331
Universal Filler Extension	UF E3/UF E342	170	331
Utility Cabinet	UT	134	292
Utility Cabinet with Pantry Storage	UT__PCDS	138	296
Utility Cabinet Accessories	S/SK/DROT/PSK/TD3	139	327
Utility Cabinet Shelf and Pilaster Kit	PSK36	140	327
Utility Cabinet with Adjustable Shelves	UT__AS	136	294
Utility Cabinet with Deep Roll Out Trays	UT__4ROT	137	296
V			
Valances	VA/VAL	85	322
Valet Cabinet	VC2436 BUTT	157	304
Vanity Base, 31 1/8" High	VB__	148	302
Vanity Base, 34 1/2" High	VB__H	153	304
Vanity Cabinet Decorator Matching Doors	DMDV	168	306
Vanity Combo Sink Base, 31 1/8" High	VSDB__	150	300
Vanity Combo Sink Base, 34 1/2" High	VSDB__H	155	302
Vanity Drawer Base, 31 1/8" High	VDB	148	302
Vanity Drawer Base, 34 1/2" High	VDB__H	153	304
Vanity Linen Cabinet	VLC__	159	304
Vanity Sink Base, 31 1/8" High	VS__/VAN__	148	300
Vanity Sink Base, 34 1/2" High	VS__H/VAN__H	153	302
Vanity Sink Front, 31 1/8" High	VSF__	152	300
Void Door Cabinet Option	VDO__	43	251
W			
Wall Cabinet Construction		28	—
Wall Cabinet Decorator Matching Doors	DMDW__	168	306
Wall Cabinets, Standard	W__	58	252
Wall Cabinets with Spice Rack	W__SR	63	256
Wall China Cabinet	WCC__	82	320
Wall Column Filler	WPC/WFC/WBC	173	330
Wall Easy Reach Cabinet	WER24__	79	262
Wall End Angle Cabinet	WEA12__	80	262
Wall End Panel	WEP__	165	328
Warranty Information		4	—
Wastebasket Unit	WBU15	124	325
White Overlay Filler	__OF__	171	331
Wide Batten Molding	WBM8	183	332,333
Wine Rack	WR36	87	321
Wine Rack Cabinet	WRC__	81	320
Wine Storage Cabinet	WSC__	81	320
Wood Base End Panel	WBEP	167	329
Wood Overlay Filler	__OF__	171	331
Wood Species & Materials		31	—
Wood Tall End Panel	WTEP__	167	329
Wood Tiered Cutlery Divider Kit	__	122	325